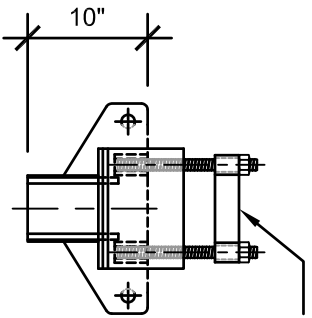
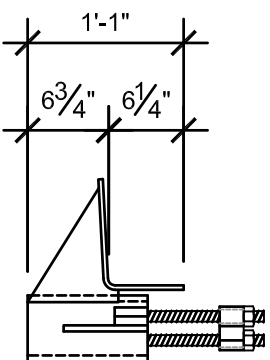


4021.55 BRACKET - 3 1/2" Ø HELICAL PILE

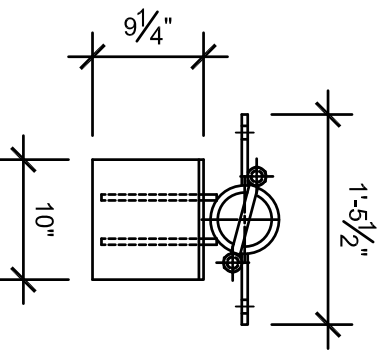
FASTENING STRAP WITH
1 1/2" DIA. ALL THREADS
AND NUTS



FRONT VIEW



SIDE VIEW



TOP VIEW

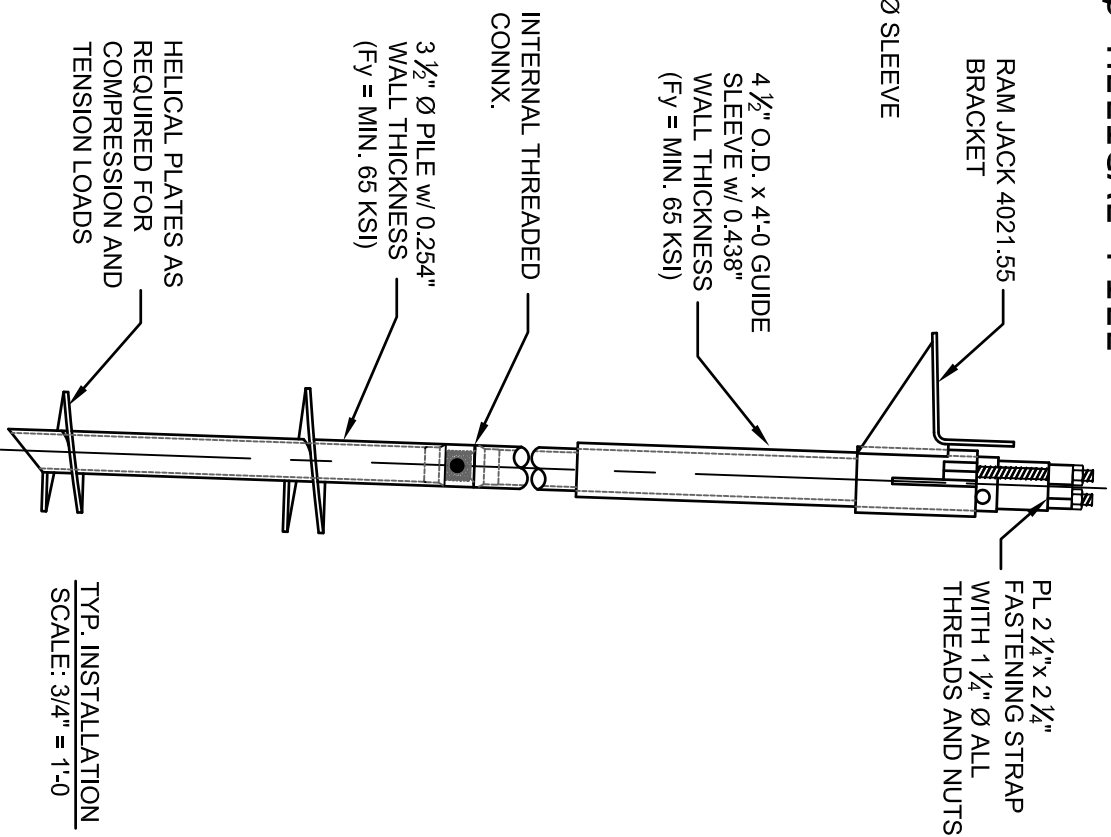
PILE SYSTEM CAPACITY RATING

MAX. TORQUE STRENGTH - 14,000 FT-LB
ULTIMATE COMPRESSION CAPACITY - 98 KIP*
ALLOWABLE COMPRESSION CAPACITY - 49 KIP**

* BASED ON A TORQUE FACTOR (Kt) = 7
** W/ SAFETY FACTOR OF 2 BEING APPLIED

NOTES:

1. POLYETHYLENE COPOLYMER THERMOPLASTIC COATING PER ICC-ES AC228.
2. MANUFACTURER TO HAVE IN EFFECT INDUSTRY RECOGNIZED WRITTEN QUALITY CONTROL FOR ALL MATERIALS AND MANUFACTURING PROCESSES.
3. ALL WELDING IS TO BE DONE BY WELDERS CERTIFIED UNDER SECTION 5 OF THE AWS CODE D1.1.
4. THE CAPACITY OF THE UNDERPINNING SYSTEM IS A FUNCTION OF MANY INDIVIDUAL ELEMENTS, INCLUDING THE CAPACITY OF THE FOUNDATION, BRACKET, PIER SHAFT, HELICAL PLATE, AND BEARING STRATA, AS WELL AS THE STRENGTH OF THE FOUNDATION BRACKET CONNECTION AND THE QUALITY OF THE INSTALLATION OF THE PILE. YOUR ACHIEVABLE CAPACITIES COULD BE HIGHER OR LOWER THAN THOSE LISTED DEPENDING ON THE ABOVE FACTORS.



TYP. INSTALLATION
SCALE: 3/4" = 1'-0"



RAM-JACK®

4021.55 BRACKET	CATALOG NO. : SEE TABLES	REV. 1
SCALE 3/4" = 1'-0"	DRAWN BY DLW	DATE: 08/11/09
		SHEET 1 OF 1